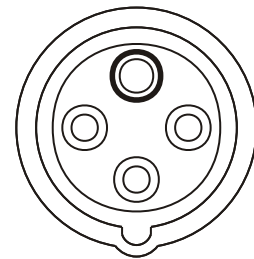
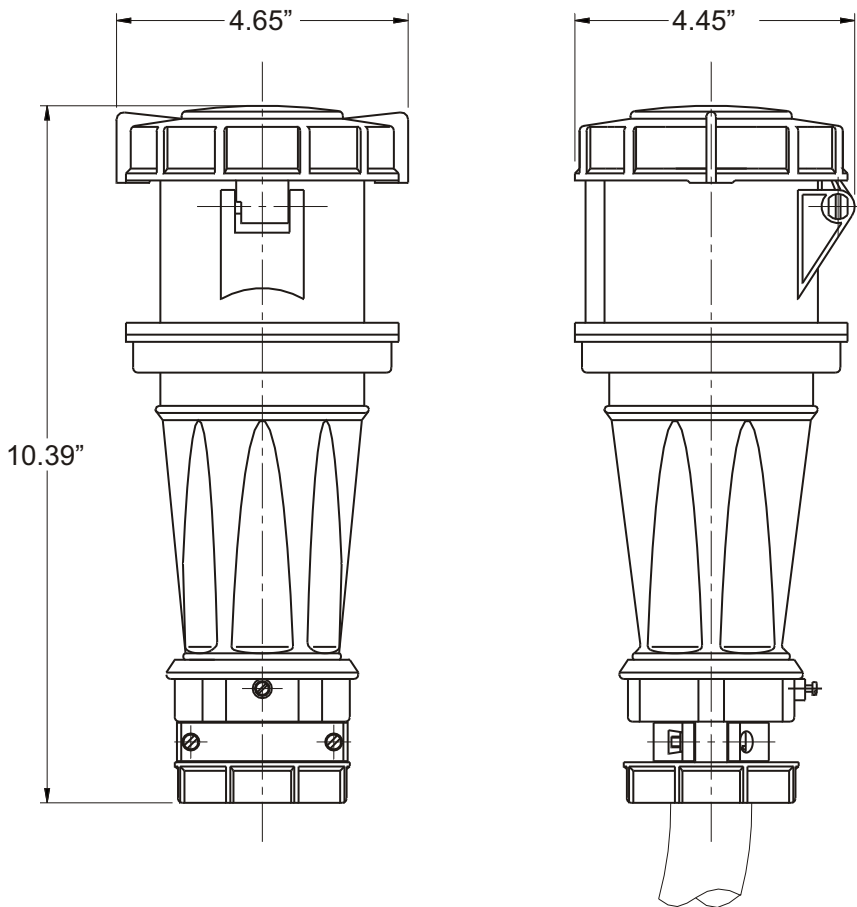


CONNECTOR, IN-LINE

Part No.	ME 460C12W
Description:	60 Amp 125/250Vac 3 Pole, 4 Wire Connector
Construction:	Watertight IEC IP 67
Approvals:	UL Listed Standards 1682; 1686 CSA Certification to Spec. C22.2 No. 182.1 IEC 60309-1; IEC 60309-2

IEC COLOR CODE: Orange

GROUND SOCKET: 12 Hour Position Mates with Male in 12 Hour Position.



Front View of Connector

Wire Range: #4 - #8 AWG
Cord Range: .57" - 1.42"
Threaded Cable Entry: 1 1/2" NPT

Drawing Not to Scale